



# Approve Sheet

Customer:

ACE

SENSDAR Model No.:

SE1751HB

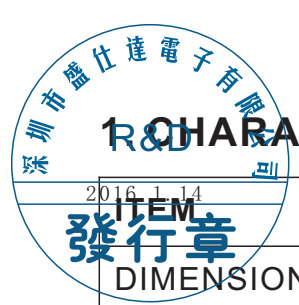
Customer Model No.:

/

DRAWN	CHECKED	APPROVED
		

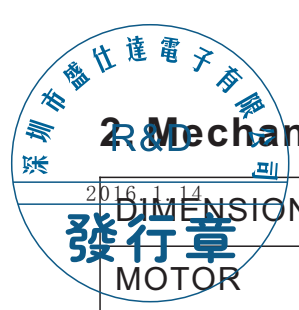


Tel: 86-755-6182 0651  
Fax: 86-755-6182 0652  
Email: sales@sensdar.com  
Web: www.sensdar.com



# 1 CHARACTER

ITEM	UNIT	SPECIFICATIONS	CONDITION
DIMENSION	mm	172x150x51	L X W X Thickness
BEARING	-----	BALL	-----
RATED VOLTAGE	VDC	115V/230V	-----
OPERATION VOLTAGE	VDC	98-264	AT 25°C
INPUT CURRENT	Amp	0.35	AT 25°C
INPUT POWER	Watt	35	At rated Voltage
RATED SPEED	RPM	3500 10%RPM	At rated Voltage
AIRFLOW	CFM	260	in Free Air
STATIC AIR PRESSURE	mm-H2O	18.5	-----
NOISE LEVEL	dBA	59	At rated speed
INSULATION TYPE	-----	Class A	-----
ROTATION	-----	CLOCKWISE	From Name Plate Side
OTHER FEATURES	TACHOMETER OUTPUT		NO
	AUTO-RESTART		YES
	WATER PROOF		NO
	RD SIGNAL OUTPUT		NO
	PWM CONTROL		NO
LEAD WIRE	UI1007 24# AWG BLACK WIRES CONNECT AC		
	BLACK WIRE		
	RED WIRE		
	YELLOW WIRE		
	WHITE WIRE		
CONNECTOR	N/A		
LIFE EXPECTANCY	HOURS	50000	AT 40°C 15%~65%RH
NET GRAM	G	740	
PACKING	PCS/CTN	20	
SAFETY APPROVAL	CE		



## R&D Mechanical

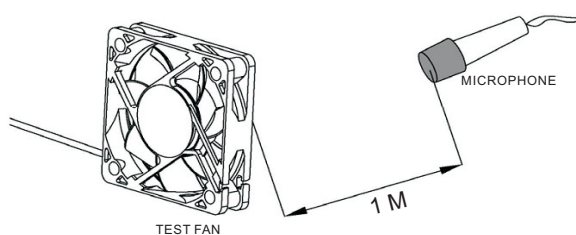
DIMENSIONS	SEE DIMENSION DRAWING
MOTOR	FOUR POLE MOTOR
FRAME	ALLUMINUM ALLOY
IMPELLER	P.B.T. (PLASTIC MATERIAL UL94V-0)
DROP TEST	IN MINMUM PACKAGING CONDITION FAN WITHSTANDS EACH ONE DROP OF THREE FACES FROM 30 CM DISTANCE HEIGHT ONTO 10 MM THICKNEDD OF WOODEN BOARD

### 3. ENVIRONMENTAL

OPERATING TEMPERATURE	-10 ~ +60 °C
STORAGE TEMPERATURE	-40 ~ +75 °C
OPERATING HUMIDITY	35% ~ 85%RH
STORAGE HUMIDITY	35% ~ 85%RH
STORAGE	PLEASE DO NOT STORE THE FAN IN THE ENVIRONMENT OF HIGH/LOW TEMPERATURE, HIGH HUMIDITY OR ANY DETRIMENATL GAS . PLEASE STORE THE FAN WITHIN 6 MONTHS, EVERY 6 MONTHS, THERE SHALL BE A LEAKAGE OF ELECTRIC CURRENT TO THE FAN, EVEN THOUGH THE FAN IS STORED IN ROOM TEMPERATURE.

**NOTE:**

- A. RATED CURRENT:  
RATED CURRENT SHOULD BE MEASURED AFTER 30 MINUTES CONTINUOUS OPERATION AT RATED VOLTAGE.
- B. RATED SPEED:  
RATED SPEED SHOULD BE MEASURED AFTER 30 MINUTES CONTINUOUS ROTATION AT RATED VOLTAGE.
- C. START VOLTAGE: THE VOLTAGE THAT ENABLE TO START THE FAN BY SUDDEN SWITCH ON.
- D. NOISE LEVEL: NOISE IS MEASURED AT RATED VOLTAGE IN FREE AIR IN ANECHOIC CHAMBER SITH B & K SOUND LEVEL METER WITH MICROPHONE AT A DISTANCE OF ONE METER FROM THE FAN INTAKE.

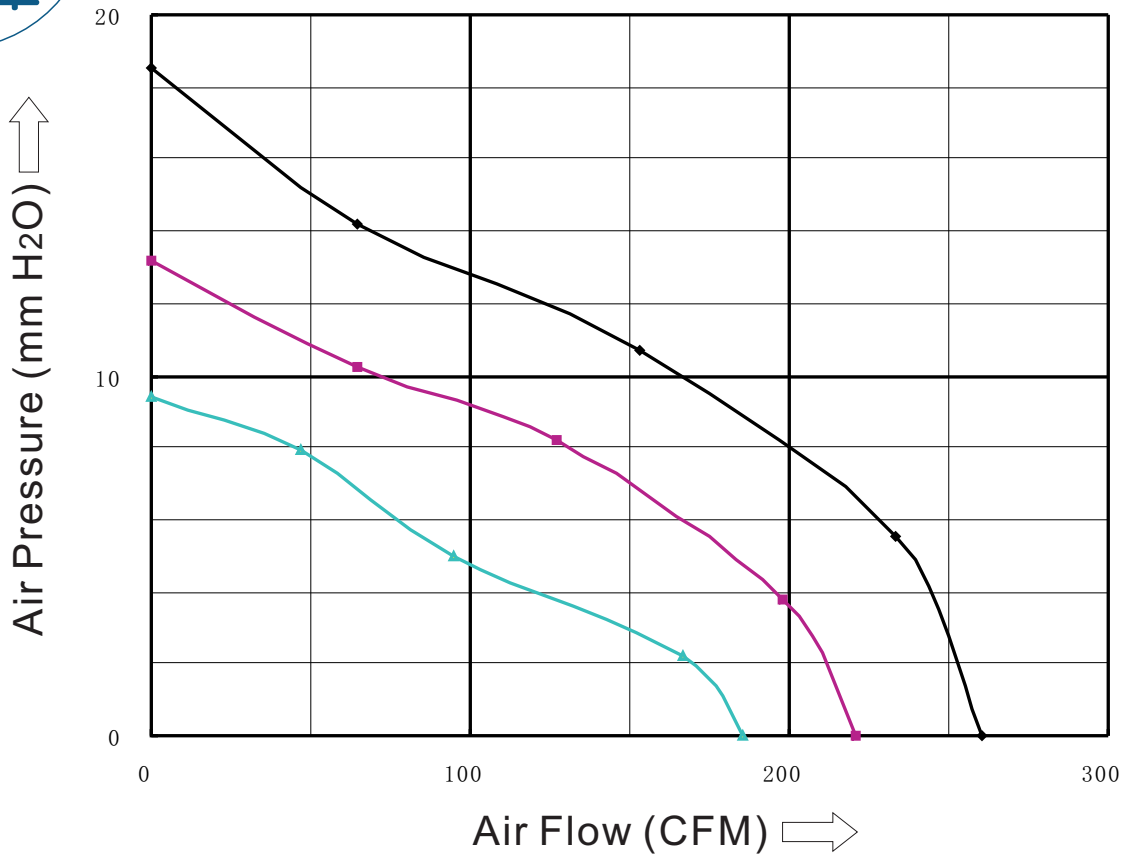




## R&D Performance Curve

2016.1.14

發行章



### 5. Fan Use Instructions

- (1). It is not guaranteed if the fan application exceeds the limitations outlined in this specification.
- (2). Please do not touch and push fan blade with finers or others. Fan blade and ball bearings may be damaged. And it caused noise defect.
- (3). Please avoid operating SENS DAR fans in poisonous material(organic, cyanogens, formalin, phenol, etc.) or corrosive gas environment
- (4). We do not warrant performance safety against accidents caused by dust, water, droplets dew, bugs, etc.
- (5). Always ensure that fans are stored according to the storage temperature specified. If fans are stored in a high humidity environment for more than 6 months, functional testing will be strongly recommended before use.
- (6). Please do not damage this product. Otherwise, it may cause smoke or fire.
- (7). To avoid the damage, check the correct voltage and proper polarity before connecting with power.
- (8). Improper mounting may cause harsh resonance, vibration, and noise.  
Please mount securely
- (9). It is very important to notify that it should be avoided to drop the fan from 60cm height while fan working, as it may impact fan balance.
- (10). Please furnish the fan with guard accessories to prevent injury to personnel.

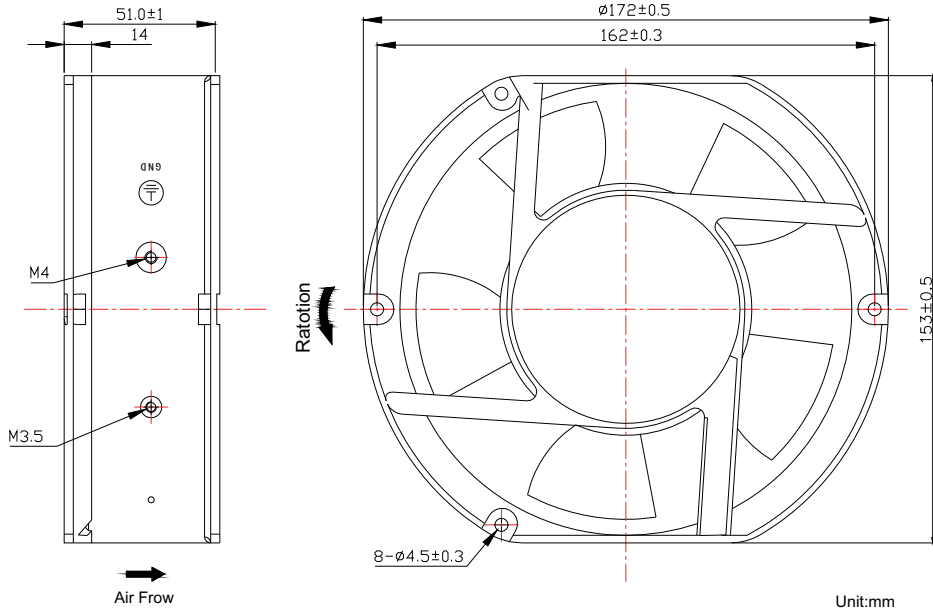
### 4. DIMENSION DRAWING

LABEL



PART NAME	EC FAN	CONNECTOR	
MODEL NO.	SE1751HB	DRAWN/DATE	
PART NO.		CHECK/DATE	

盛士達國際有限公司  
SENS DAR INTERNATIONAL LIMITED



- NOTES:  
1. LEAD WIRE:  
2. THIS PRODUCT IS ROHS COMPLIANT